
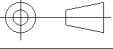


No details guaranteed, but believed correct.

	Warehouse code 31.163 - 31.164 -31.165 - 31.166	Dimensions xxxx	Project xxxx	Quantity 4	
Workload 94 ton	Testload xxxx	Breakload xxxx	Weight 885 kg	Drawn by Th.H Scale 1:15	
			Unit mm Date 07-06-2013	Remarks xxxx Material xxxx	
	Tenwolde Transport en Repair B.V. Postbus 5023 3274 ZJ Heinoord Boonsweg 19 3274 LH Heinoord T 0186-603333 F 0186-603619 E info@tenwolde.com W www.tenwolde.com	Projection method 	Drawingnumber	Revision A0	Sheet size A4
		Title <b>10 schijfs blok (10 sheaves block)</b>			