
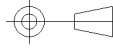


No details guaranteed, but believed correct.

Work order	Warehouse code XXXX	Dimensions XXXX		Project XXXX	Quantity 2	
Workload XXXX ton	Testload XXXX	Breakload XXXX	Weight 3000 kg	Drawn by THA	Remarks XXXX	
				Scale 1:25		
				Unit mm	Material XXXX	
				Date 07-08-2013		
 Tenwolde Transport en Repair B.V. Postbus 5023 3274 ZJ Heinenoord Boonsweg 19 3274 LH Heinenoord T 0186-603333 F 0186-603619 E info@tenwolde.com W www.tenwolde.com			Projection method 	Drawingnumber	Revision A1	Sheet size A4
				Title One sheave block WLL ... ton / ... kN		