
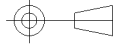


No details guaranteed, but believed correct.

Work order	Warehouse code 31.123	Dimensions xxxx		Project xxxx	Quantity 1	
Workload 60 ton	Testload 918 kN	Breakload xxxx	Weight 325 kg	Drawn by THA	Remarks xxxx	
				Scale 1:10		
				Unit mm	Material xxxx	
				Date 07-08-2013		
 Tenwolde Transport en Repair B.V. Postbus 5023 3274 ZJ Heinenoord Boonsweg 19 3274 LH Heinenoord T 0186-603333 F 0186-603619 E info@tenwolde.com W www.tenwolde.com			Projection method 	Drawingnumber	Revision A1	Sheet size A4
			Title Four sheave block WLL 60 ton / 600 kN			