
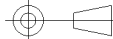


No details guaranteed, but believed correct.

| | | | | | | |
|--|--------------------------|--------------------|--|--------------------|------------------|------------------|
| Work order | Warehouse code 31.122 | Dimensions XXXX | | Project XXXX | Quantity 1 | |
| Workload 63 ton | Testload 954 kN | Breakload XXXX | Weight XXXX | Drawn by THA | Remarks XXXX | |
| | | | | Scale 1:10 | | |
| | | | | Unit mm | Material XXXX | |
| | | | | Date 07-08-2013 | | |
|  Tenwolde Transport en Repair B.V. Postbus 5023 3274 ZJ Heinoord Boonsweg 19 3274 LH Heinoord T 0186-603333 F 0186-603619 E info@tenwolde.com W www.tenwolde.com | | | Projection method  | Drawingnumber | Revision A1 | Sheet size A4 |
| | | | Title Three sheave block WLL 63 ton / 630 kN with becket connection | | | |