
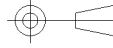


No details guaranteed, but believed correct.

	Warehouse code 31.086-31.087		Dimensions xxxx		Project xxxx	Quantity 2	
Workload 330 ton	Testload xxxx	Breakload xxxx	Weight xxxx kg	Drawn by THA	Remarks xxxx		
				Scale 1:25			
				Unit mm	Material xxxx		
				Date 03-08-2013			
 Tenwolde Transport en Repair B.V. Postbus 5023 3274 ZJ Heinenoord Boonsweg 19 3274 LH Heinenoord T 0186-603333 E info@tenwolde.com W www.tenwolde.com			Projection method 		Drawingnumber	Revision A1	Sheet size A4
			Title Single sheave block WLL 330 ton / 3300 kN				