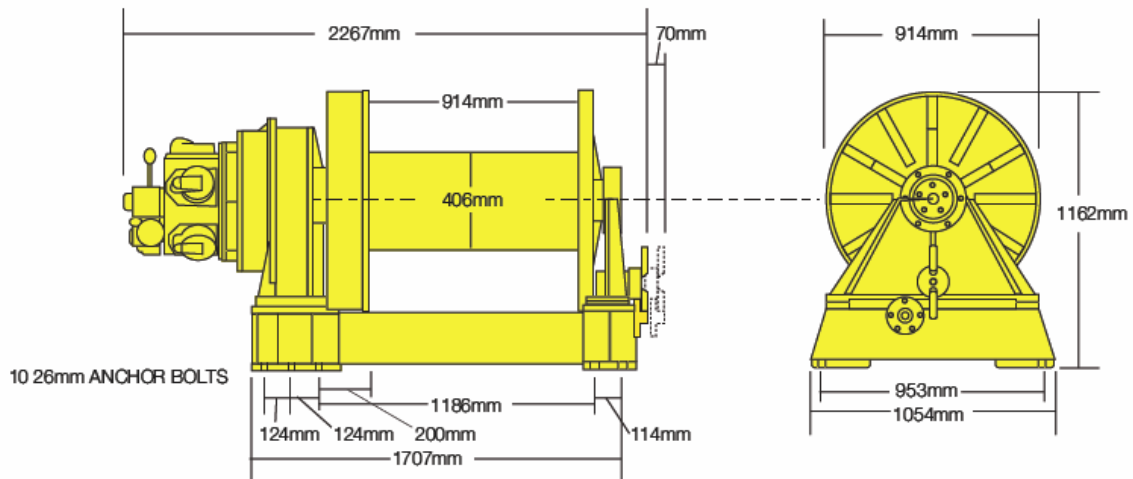
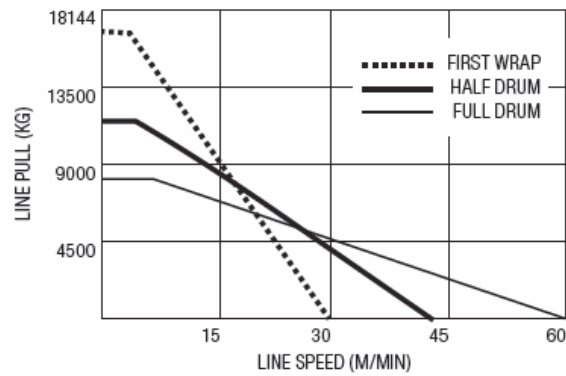


WINCHES

Ingersoll – Rand Model 35UWD962

Series 35UWC592 at 90 psi



Specifications

- Average air consumption; 900cfm (25.5m³/min)
- 608m maximum length of wire rope at 26mm diameter
- 579m maximum length of wire rope at 28mm diameter
- 1901kg weight without wire rope